



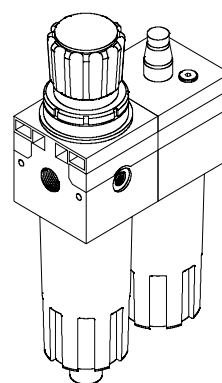
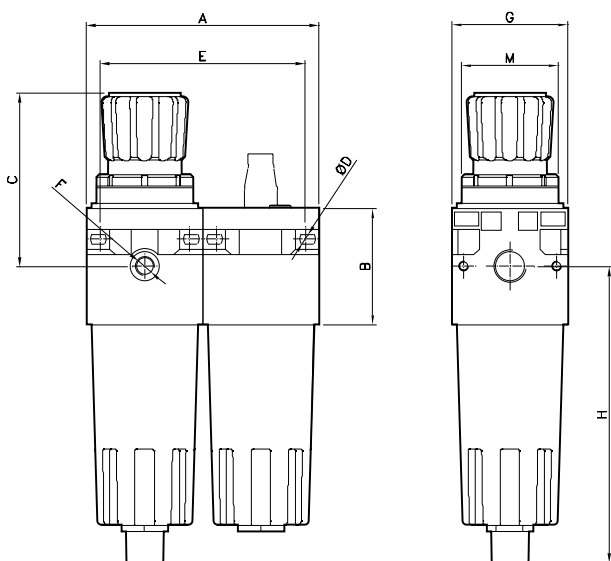
TECHNICAL DATA / DONNÉES TECHNIQUES / DATI TECNICI

Fluid / <b>Fluide</b> / <i>Fluido</i>	Air / <b>Air</b> / <i>Aria</i>		
Maximum pressure / <b>Pression Max</b> / <i>Pressione Max</i>	18 bar		
Temperature / <b>Température</b> / <i>Temperatura</i>	-20° C / +50°C		
Filtration grade / <b>Grade de filtration</b> / <i>Grado di filtrazione</i>	4 - 20 - 50 µm		
Pressure gauge thread / <b>Raccord manomètre</b> / <i>Attacco manometro</i>	1/8 - 1/4 = 1/8	3/8 - 1/2 = 1/8	3/4 - 1" = 1/4
Wall clamping screws / <b>Vis pour fixation</b> / <i>Viti per fissaggio</i>	1/8 - 1/4 = M4x40	3/8 - 1/2 = M4x50	3/4 - 1" = M6x75
Weight / <b>Poids</b> / <i>Peso</i>	1/8 - 1/4 = 0,9 Kg	3/8 - 1/2 = 2 Kg	3/4 - 1" = 4 Kg

STANDARD PRODUCTS / PRODUIT STANDARD / PRODOTTI STANDARD

Code Code Codice	Size Taille Taglia	Thread Filetage Filetto	Filtration Filtration Filtrazione	Flow rate Débit Portata	Regulation Régulation Regolazione	Exhaust Purge Scarico
YS11241	1	1/8	20µm	700 NI/min	0 - 12 bar	S/M
YS12241	1	1/4	20µm	700 NI/min	0 - 12 bar	S/M
YS23241	2	3/8	20µm	2500 NI/min	0 - 12 bar	S/M
YS24241	2	1/2	20µm	2500 NI/min	0 - 12 bar	S/M
YS35241	3	3/4	20µm	4600 NI/min	0 - 12 bar	S/M
YS36241	3	1"	20µm	4600 NI/min	0 - 12 bar	S/M

DIMENSIONS / DIMENSIONS / DIMENSIONI



Size	A	B	C	D	E	F	G	H	M
1/8 - 1/4	84	42	64	5	76	1/8	42	120	30x1.5
3/8 - 1/2	120	60	90	5	109	1/8	60	155	38x2
3/4 - 1"	160	80	124	7	146	1/4	80	195	55x2

Air treatment / Traitement d'air / Trattamento aria

FILTERREGULATOR+LUBRICATOR (FR+L) / FILTREGULATEUR+LUBRIFICATEUR (FR+L) / FILTROREGOLATORE+LUBRIFICATORE (FR+L) SERIE Y