



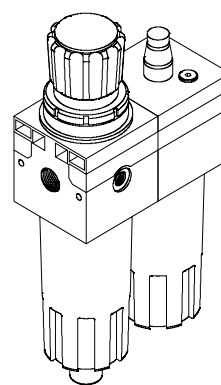
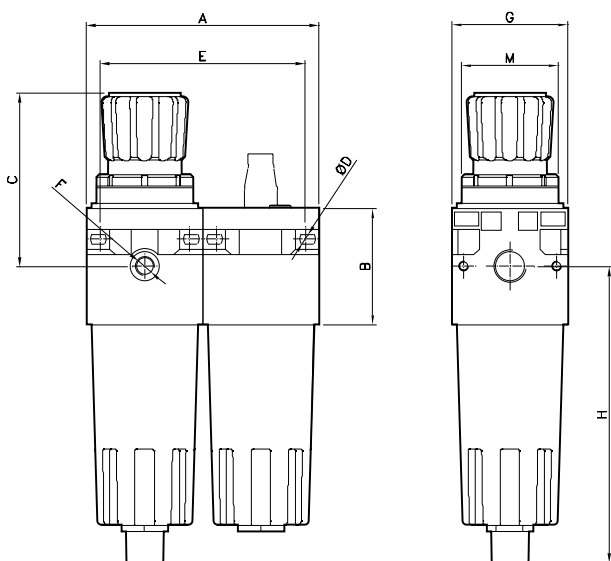
TECHNICAL DATA / **DONNÉES TECHNIQUES** / **DATI TECNICI**

Fluid / Fluide / <i>Fluido</i>	Air / Air / <i>Aria</i>		
Maximum pressure / Pression Max / <i>Pressione Max</i>	18 bar		
Temperature / Température / <i>Temperatura</i>	-20° C / +50°C		
Filtration grade / Grade de filtration / <i>Grado di filtrazione</i>	4 - 20 - 50 µm		
Pressure gauge thread / Raccord manomètre / <i>Attacco manometro</i>	1/8 - 1/4 = 1/8	1/8 - 1/4 = 1/8	1/8 - 1/4 = 1/4
Wall clamping screws / Vis pour fixation / <i>Viti per fissaggio</i>	1/8 - 1/4 = M4x40	3/8 - 1/2 = M4x50	3/4 - 1" = M6x75
Weight / Poids / <i>Peso</i>	1/8 - 1/4 = 0,9 Kg	3/8 - 1/2 = 2 Kg	3/4 - 1" = 4 Kg

STANDARD PRODUCTS / **PRODUIT STANDARD** / **PRODOTTI STANDARD**

Code Code Codice	Size Taille Taglia	Thread Filetage Filetto	Filtration Filtration Filtrazione	Flow rate Débit Portata	Regulation Régulation Regolazione	Exhaust Purge Scarico
YS11241	1	1/8	20µm	700 NI/min	0 - 12 bar	S/M
YS12241	1	1/4	20µm	700 NI/min	0 - 12 bar	S/M
YS23241	2	3/8	20µm	2500 NI/min	0 - 12 bar	S/M
YS24241	2	1/2	20µm	2500 NI/min	0 - 12 bar	S/M
YS35241	3	3/4	20µm	4600 NI/min	0 - 12 bar	S/M
YS36241	3	1"	20µm	4600 NI/min	0 - 12 bar	S/M

DIMENSIONS / **DIMENSIONS** / **DIMENSIONI**



Size	A	B	C	D	E	F	G	H	M
1/8 - 1/4	84	42	64	5	76	1/8	42	120	30x1.5
3/8 - 1/2	120	60	90	5	109	1/8	60	155	38x2
3/4 - 1"	160	80	124	7	146	1/4	80	195	55x2