



TECHNICAL DATA / **DONNÉES TECHNIQUES** / **DATI TECNICI**

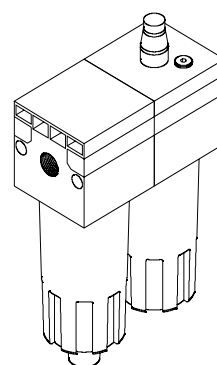
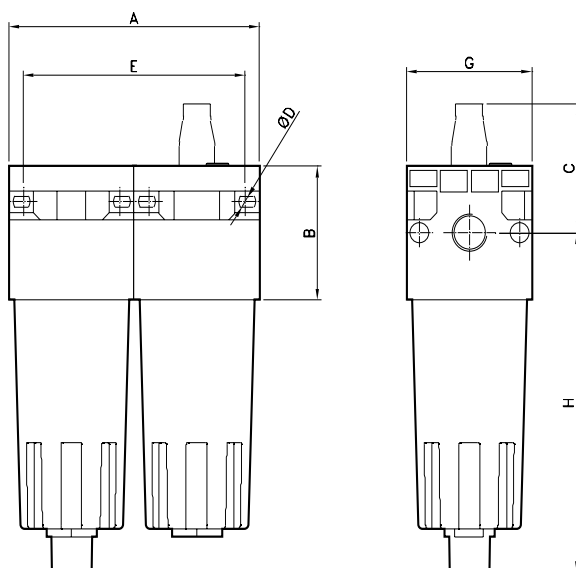
Fluid / <b>Fluide</b> / <i>Fluido</i>	Air / <b>Air</b> / <i>Aria</i>		
Maximum pressure / <b>Pression Max</b> / <i>Pressione Max</i>	18 bar		
Temperature / <b>Température</b> / <i>Temperatura</i>	-20° C / +50° C		
Filtration grade / <b>Grade de filtration</b> / <i>Grado di filtrazione</i>	4 - 20 - 50 µm		
Wall clamping screws / <b>Vis pour fixation</b> / <i>Viti per fissaggio</i>	1/8 - 1/4 = M4x40	3/8 - 1/2 = M4x50	3/4 - 1" = M6x75
Weight / <b>Poids</b> / <i>Peso</i>	1/8 - 1/4 = 0,8 Kg	3/8 - 1/2 = 1,6 Kg	3/4 - 1" = 3,6 Kg

STANDARD PRODUCTS / **PRODUIT STANDARD** / **PRODOTTI STANDARD**

Code Code Codice	Size Taille Taglia	Thread Filetage Filetto	Filtration Filtration Filtrazione	Flow rate Débit Portata	Exhaust Purge Scarico
YO112011	1	1/8	20µm	1100 NI/min	S/M
YO122011	1	1/4	20µm	1100 NI/min	S/M
YO232011	2	3/8	20µm	3600 NI/min	S/M
YO242011	2	1/2	20µm	3600 NI/min	S/M
YO352011	3	3/4	20µm	10500 NI/min	S/M
YO362011	3	1"	20µm	10500 NI/min	S/M

S/M: Semi automatic Manual / **Manuel semi-automatique** / *Semiautomatico Manuale*  
A: Automatic / **Automatique** / *Automatico*

DIMENSIONS / **DIMENSIONS** / **DIMENSIONI**



Size	A	B	C	D	E	G	H
1/8 - 1/4	84	42	50	5	74	42	120
3/8 - 1/2	120	60	60	5	106	60	155
3/4 - 1"	160	80	85	7	146	80	195