



TECHNICAL DATA / DONNÉES TECHNIQUES / DATI TECNICI

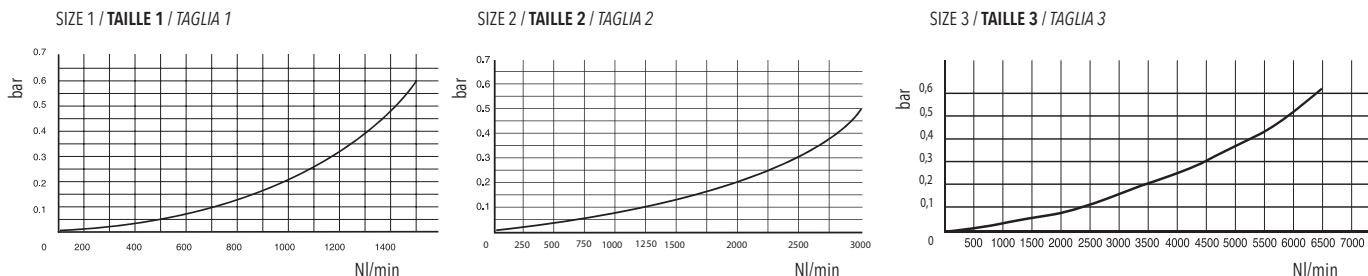
Fluid / Fluide / <i>Fluido</i>	Air / Air / <i>Aria</i>		
Maximum pressure / Pression Max / <i>Pressione Max</i>	18 bar		
Temperature / Température / <i>Temperatura</i>	-20° C / +50° C		
Filtration grade / Grade de filtration / <i>Grado di filtrazione</i>	4 - 20 - 50 µm		
Bowl capacity / Volume / <i>Capacità tazza</i>	1/8 - 1/4 = 20 cm ³	3/8 - 1/2 = 60 cm ³	3/4 - 1" = 100 cm ³
Wall clamping screws / Vis pour fixation / <i>Viti per fissaggio</i>	1/8 - 1/4 = M4x40	3/8 - 1/2 = M4x50	3/4 - 1" = M6x75
Weight / Poids / <i>Peso</i>	1/8 - 1/4 = 0,4 Kg	3/8 - 1/2 = 0,9 Kg	3/4 - 1" = 1,9 Kg

STANDARD PRODUCTS / PRODUIT STANDARD / PRODOTTI STANDARD

Code Code <i>Codice</i>	Size Taille <i>Taglia</i>	Thread Filetage <i>Filetto</i>	Filtration Filtration <i>Filtrazione</i>	Flow rate Débit <i>Portata</i>	Exhaust Purge <i>Scarico</i>
YF1121	1	1/8	20 µm	1750 NI/min	S/M
YF1221	1	1/4	20 µm	1750 NI/min	S/M
YF2321	2	3/8	20 µm	4300 NI/min	S/M
YF2421	2	1/2	20 µm	4300 NI/min	S/M
YF3521	3	3/4	20 µm	11000 NI/min	S/M
YF3621	3	1"	20 µm	11000 NI/min	S/M

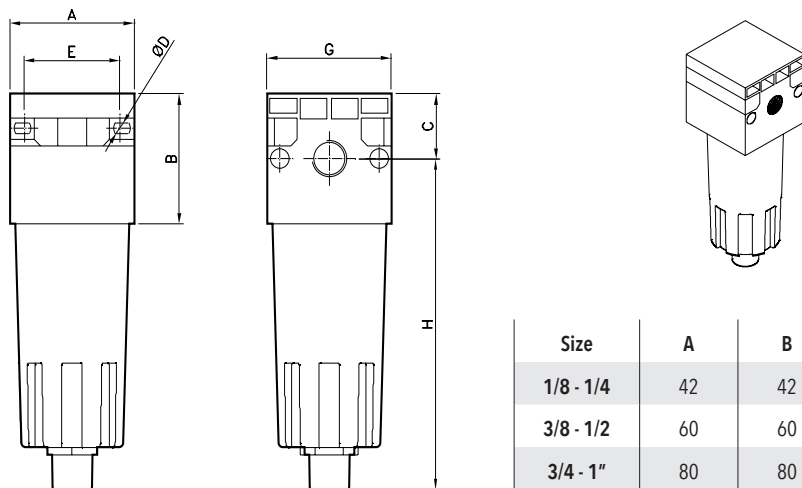
S/M: Semi-automatic / Manual / **Semi-automatique** / **Manuel** / *Semiautomatico* / *Manuale*
A: Automatic / **Automatique** / *Automatico*

FLOW CHARACTERISTICS / COURBES DE DEBIT / CARATTERISTICHE DI FLUSSO



Flow rate at 6 bar Δp 1 / **Pression à 6 bar Δp 1** / *Portata a 6 bar Δp 1*

DIMENSIONS / DIMENSIONS / DIMENSIONI



Size	A	B	C	D	E	G	H
1/8 - 1/4	42	42	21	5	32	42	120
3/8 - 1/2	60	60	30	5	46	60	155
3/4 - 1"	80	80	40	7	66	80	195