



TECHNICAL DATA / DONNÉES TECHNIQUES / DATI TECNICI

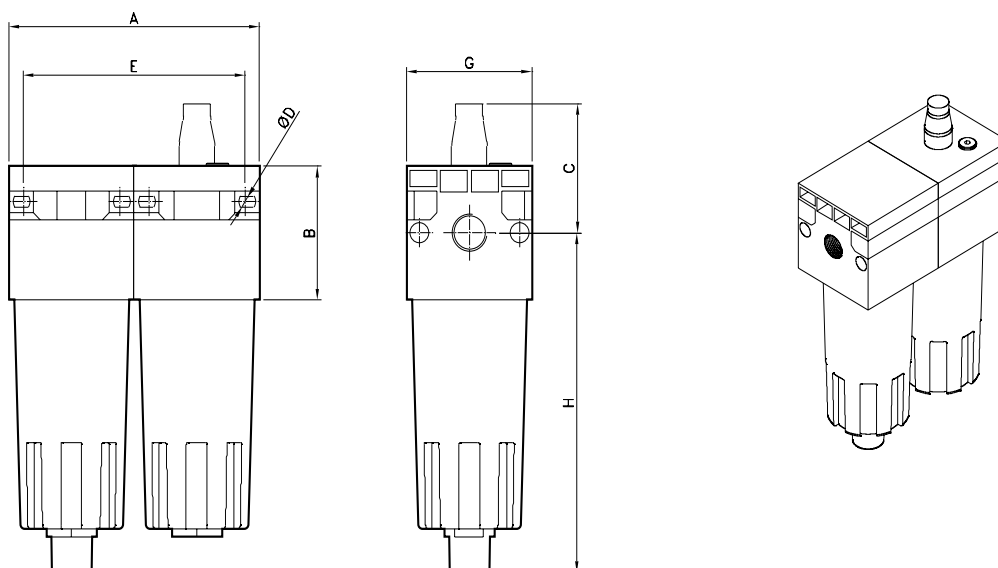
Fluid / Fluide / <i>Fluido</i>	Air / Air / <i>Aria</i>		
Maximum pressure / Pression Max / <i>Pressione Max</i>	18 bar		
Temperature / Température / <i>Temperatura</i>	-20° C / +50°C		
Filtration grade / Grade de filtration / <i>Grado di filtrazione</i>	4 - 20 - 50 µm		
Wall clamping screws / Vis pour fixation / <i>Viti per fissaggio</i>	1/8 - 1/4 = M4x40	3/8 - 1/2 = M4x50	3/4 - 1" = M6x75
Weight / Poids / <i>Peso</i>	1/8 - 1/4 = 0,8 Kg	3/8 - 1/2 = 1,6 Kg	3/4 - 1" = 3,6 Kg

STANDARD PRODUCTS / PRODUIT STANDARD / PRODOTTI STANDARD

Code Code Codice	Size Taille <i>Taglia</i>	Thread Filetage <i>Filetto</i>	Filtration Filtration <i>Filtrazione</i>	Flow rate Débit <i>Portata</i>	Exhaust Purge <i>Scarico</i>
YO112011	1	1/8	20µm	1100 NI/min	S/M
YO122011	1	1/4	20µm	1100 NI/min	S/M
YO232011	2	3/8	20µm	3600 NI/min	S/M
YO242011	2	1/2	20µm	3600 NI/min	S/M
YO352011	3	3/4	20µm	10500 NI/min	S/M
YO362011	3	1"	20µm	10500 NI/min	S/M

S/M: Semi automatic Manual / **Manuel semi-automatique** / *Semiautomatico Manuale*
 A: Automatic / **Automatique** / *Automatico*

DIMENSIONS / DIMENSIONS / DIMENSIONI



Size	A	B	C	D	E	G	H
1/8 - 1/4	84	42	50	5	74	42	120
3/8 - 1/2	120	60	60	5	106	60	155
3/4 - 1"	160	80	85	7	146	80	195